

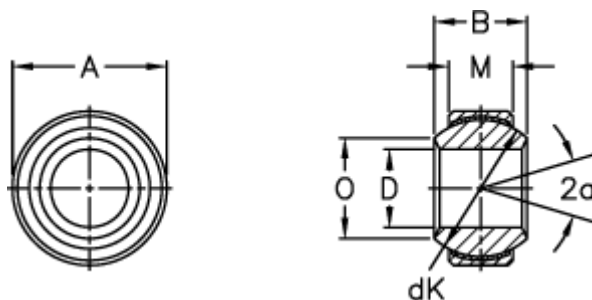
Data Sheet



Article number: 03508012

Description: Fluro Rod end GE 12FW-2RS

Measures



A	= 26 0 -0,009	Tilt angle = 18
B	= 15	Weight = 36
D	= 12 0 -0,008	
dK	= 22	
Dynamic load C (kN)	= 17.6	
M	= 9	
O	= 16	
Static load C0 (kN)	= 44	